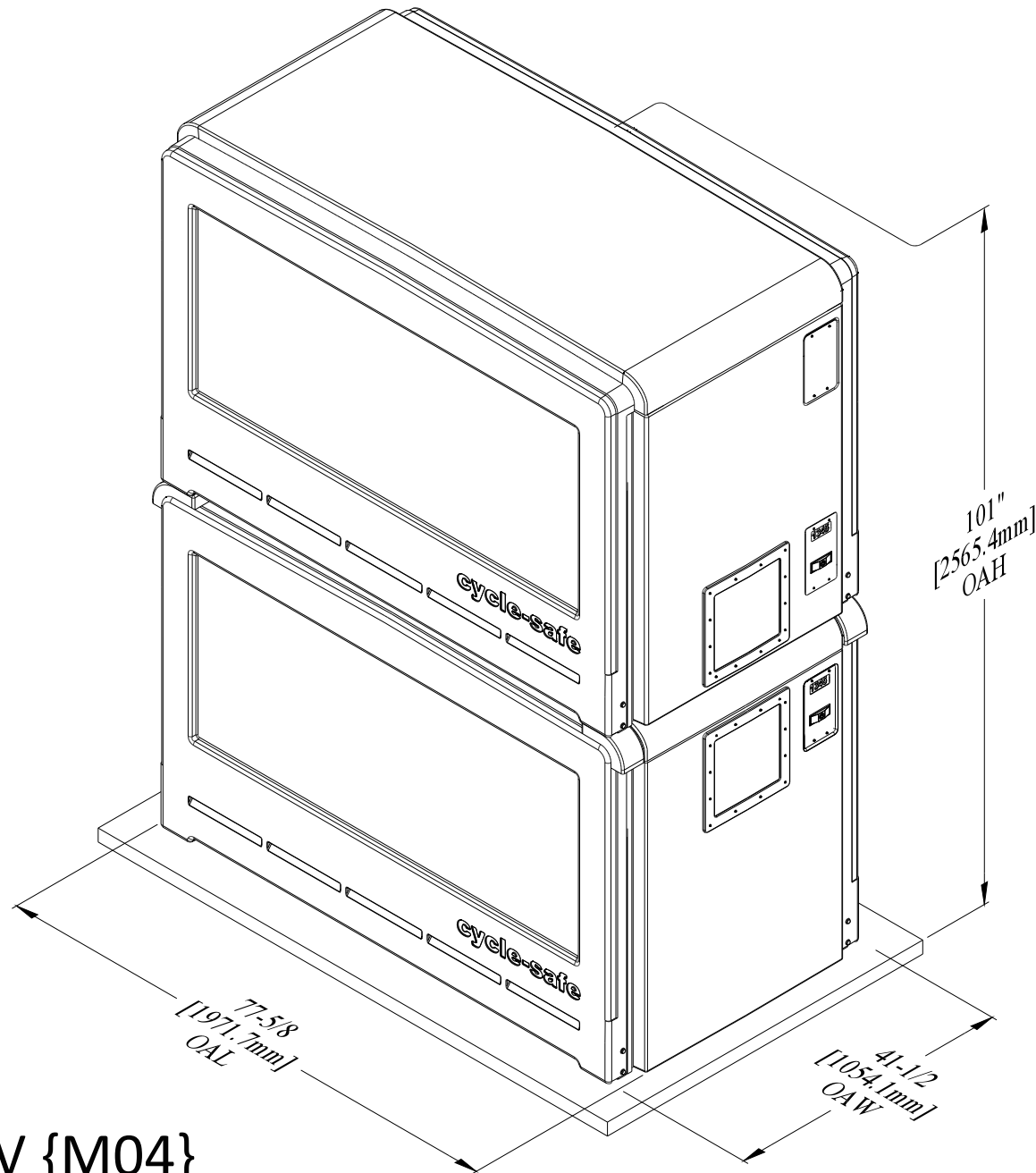


Upper #10004  
Lower #10003

ProPark DT/DV {M04}  
{2-Tier} Door-View Locker {Closed}

Upper #10004  
Lower #10003

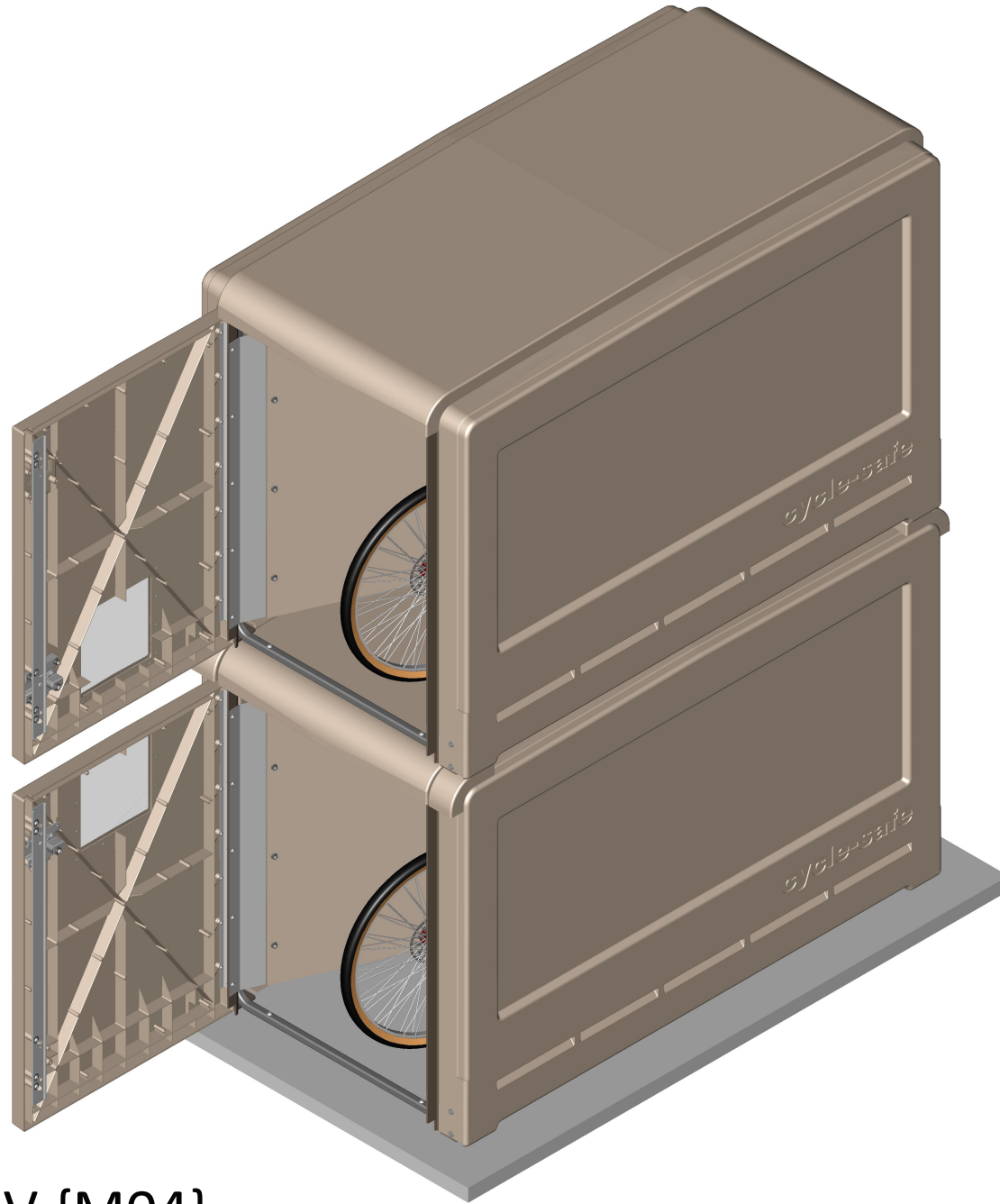


ProPark DT/DV {M04}  
{2-Tier} Door-View Locker {Dims}



[www.cyclesafe.com](http://www.cyclesafe.com)

Upper #10004  
Lower #10003



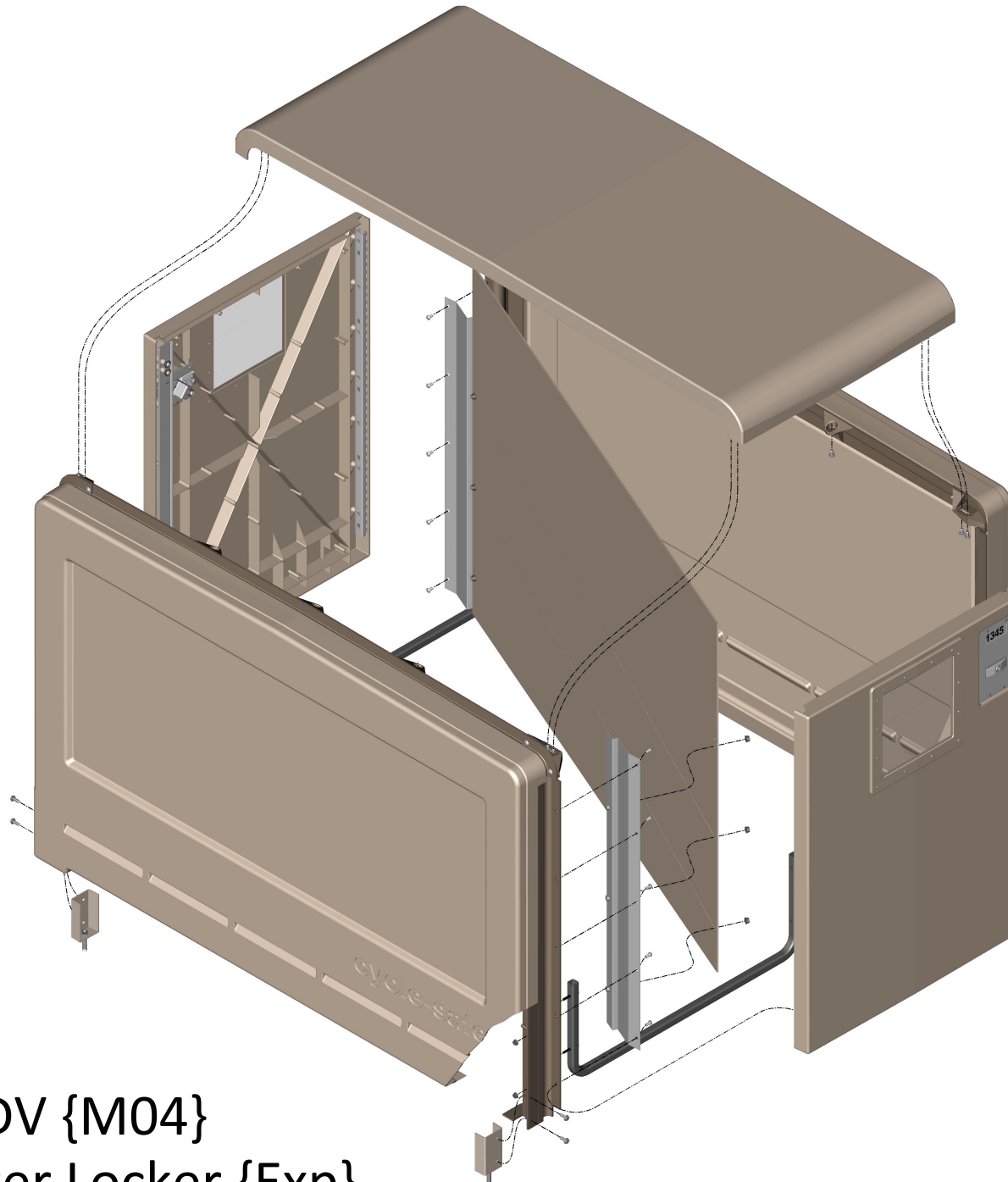
ProPark DT/DV {M04}  
{2-Tier} Door-View Locker {Open}

Upper #10004  
Lower #10003

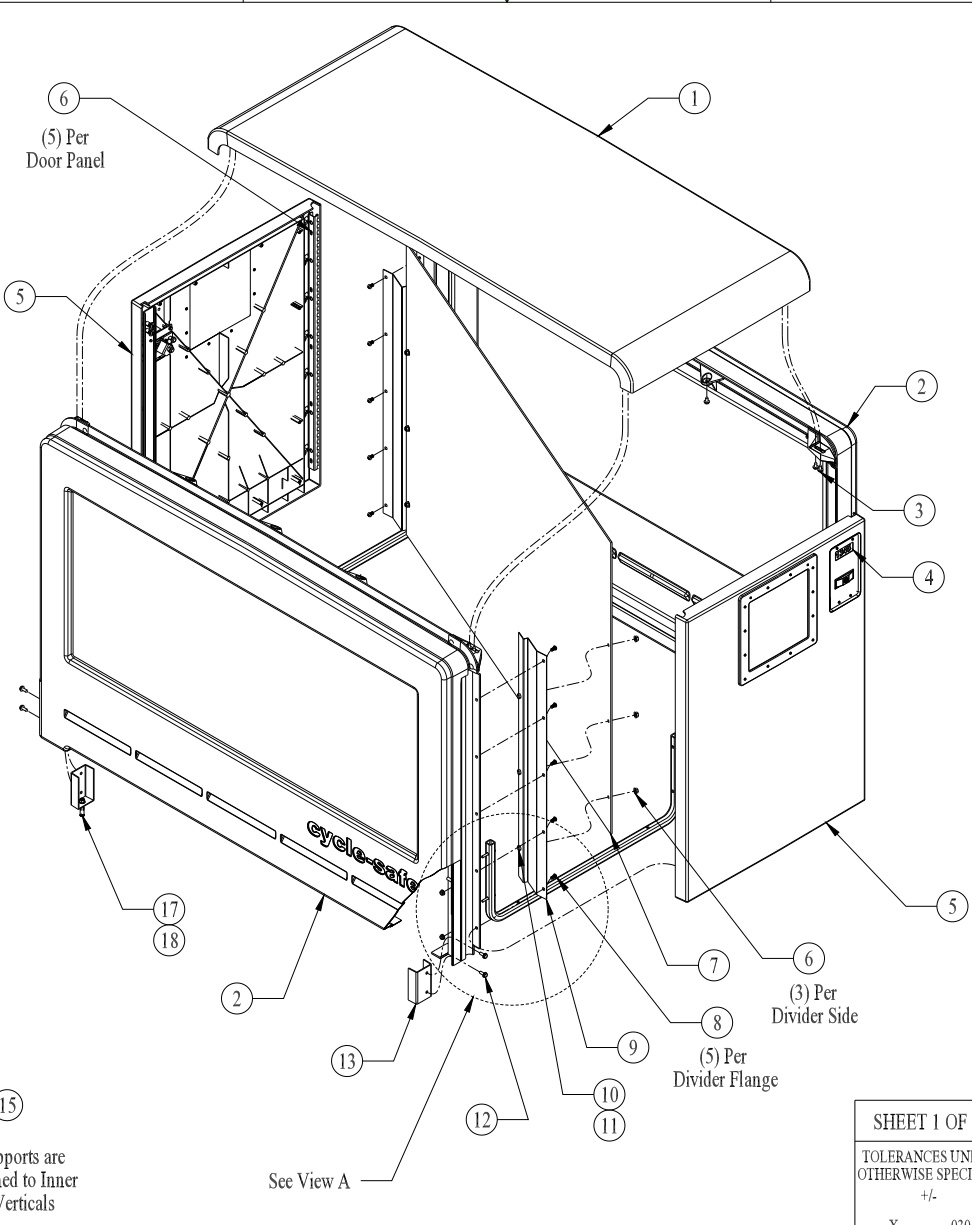


ProPark DT/DV {M04}  
{2-Tier} Door-View Locker {Perspective}

Part #10003



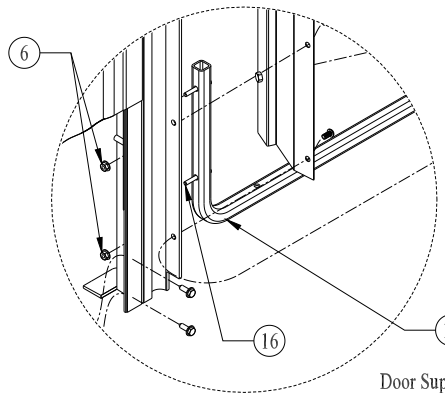
ProPark DT/DV {M04}  
{Lower} Starter Locker {Exp}



ITEM	QTY	DESCRIPTION	PART NO.
1	1	TOP PANEL	10301
2	2	END PANEL (STANDARD)	10960
3	14	5/16"-18NC x 1-1/4" LG. SHMS	10222
4	1	NUMBER PLATE	10703
5	2	DOOR (LOWER) ASSEMBLY (VIEW-THRU)	10714
6	24	5/16"-18NC WHIZ NUT	10304
7	1	DIVIDER PANEL	10101
8	10	5/16"-18NC x 3/4" LG. HHCS	10219
9	2	DIVIDER MOUNTING FLANGE	10207
10	6	5/16" FLAT WASHER	10218
11	6	5/16"-18NC x 1-1/4" LG. HHCS	10214
12	8	1/4"-20NC x 1-1/4" LG. SELF TAPPING SCREW	10217
13	4	LEVELING PLATE	10216
14	1	TORX BIT	10801
15	2	INTERIOR DOOR SUPPORT	10755
16	8	5/16"-18NC x 2" LG. HHCS	11106
17	4	3/8"-16NC x 1-7/8" ANCHOR BOLT	10211
18	4	3/8" S/S FLAT WASHER	10909

NOTES:

1. ALL MATERIALS MUST BE CLEAN AND FREE OF MILL LUBRICATION
2. ANY BLEMISHES OR RUST WILL NOT BE ALLOWED ON COMPLETED PRODUCTS



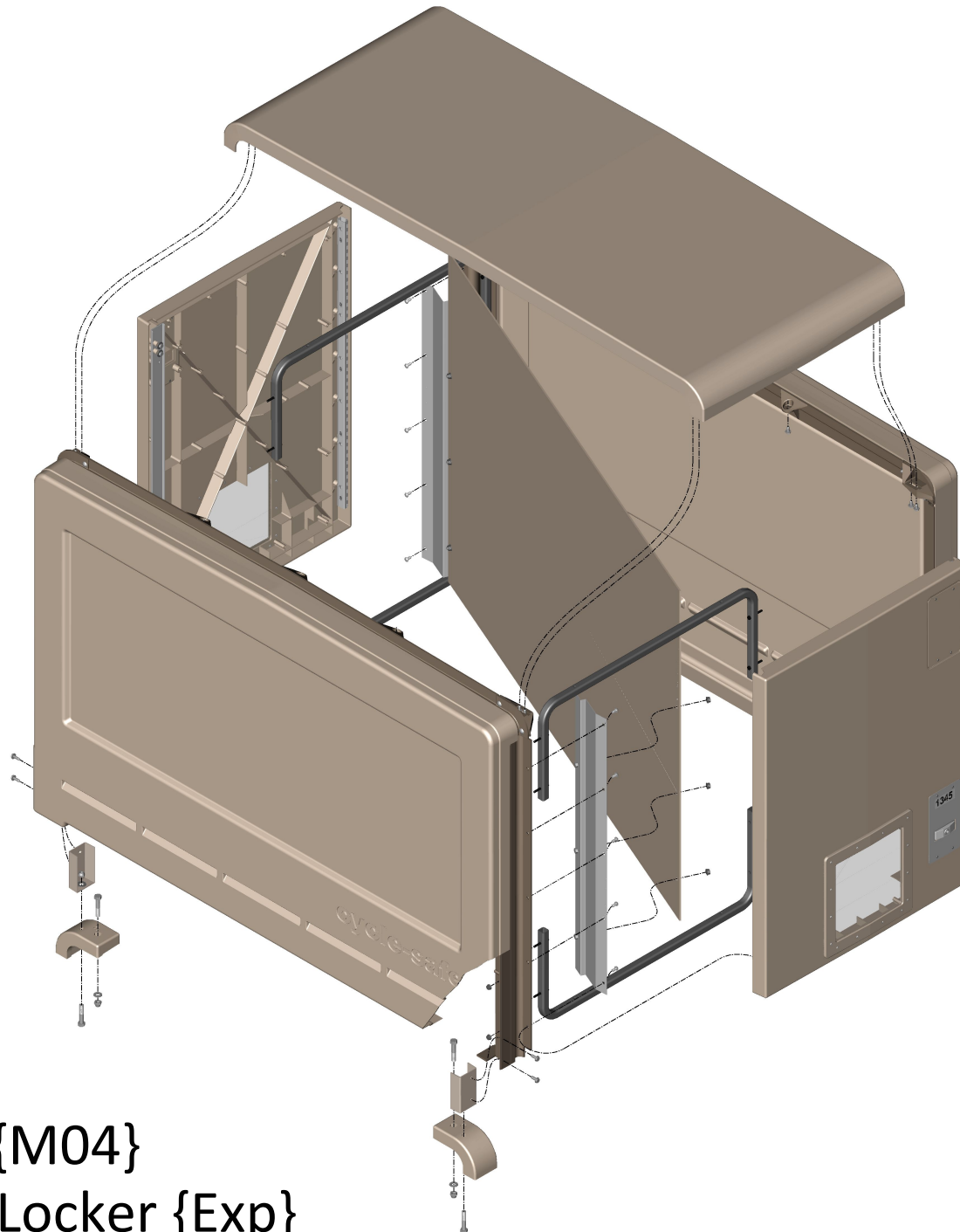
View A  
2:1

Door Supports are to be fastened to Inner Rib of Verticals

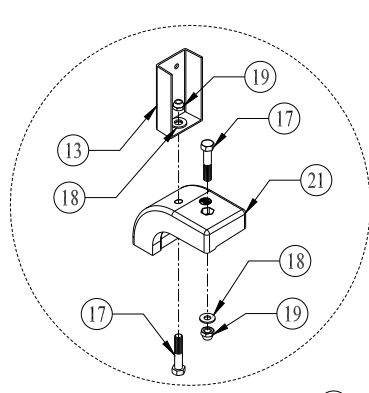
See View A

SHEET 1 OF 1		A	RELEASE FOR PRODUCTION	06/07/11
REV	DESCRIPTION			DATE
TOLERANCES UNLESS OTHERWISE SPECIFIED:		PROPARK ~ DV (M02) LOCKER (LOWER) TIER		
+/-		 947 FOREST HILL AVE GRAND RAPIDS, MI 49546 www.cyclesafe.com		
.X	.030			
.XX	.010			
.XXX	.005			
ANGLE	1/2°	R.E.S.	05/06/11	
		R.E.S.	06/07/11	
		APPROVED	DATE	
REV	(DV) LOCKER (LOWER) TIER ASSEMBLY	10003	REV A	

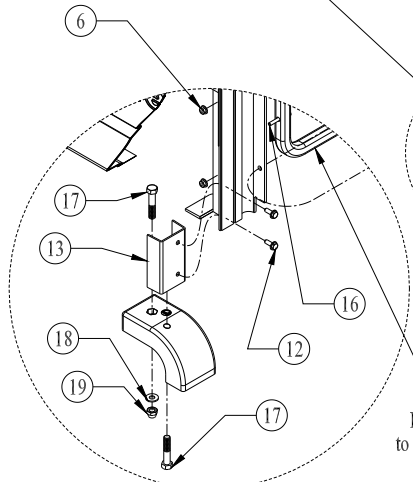
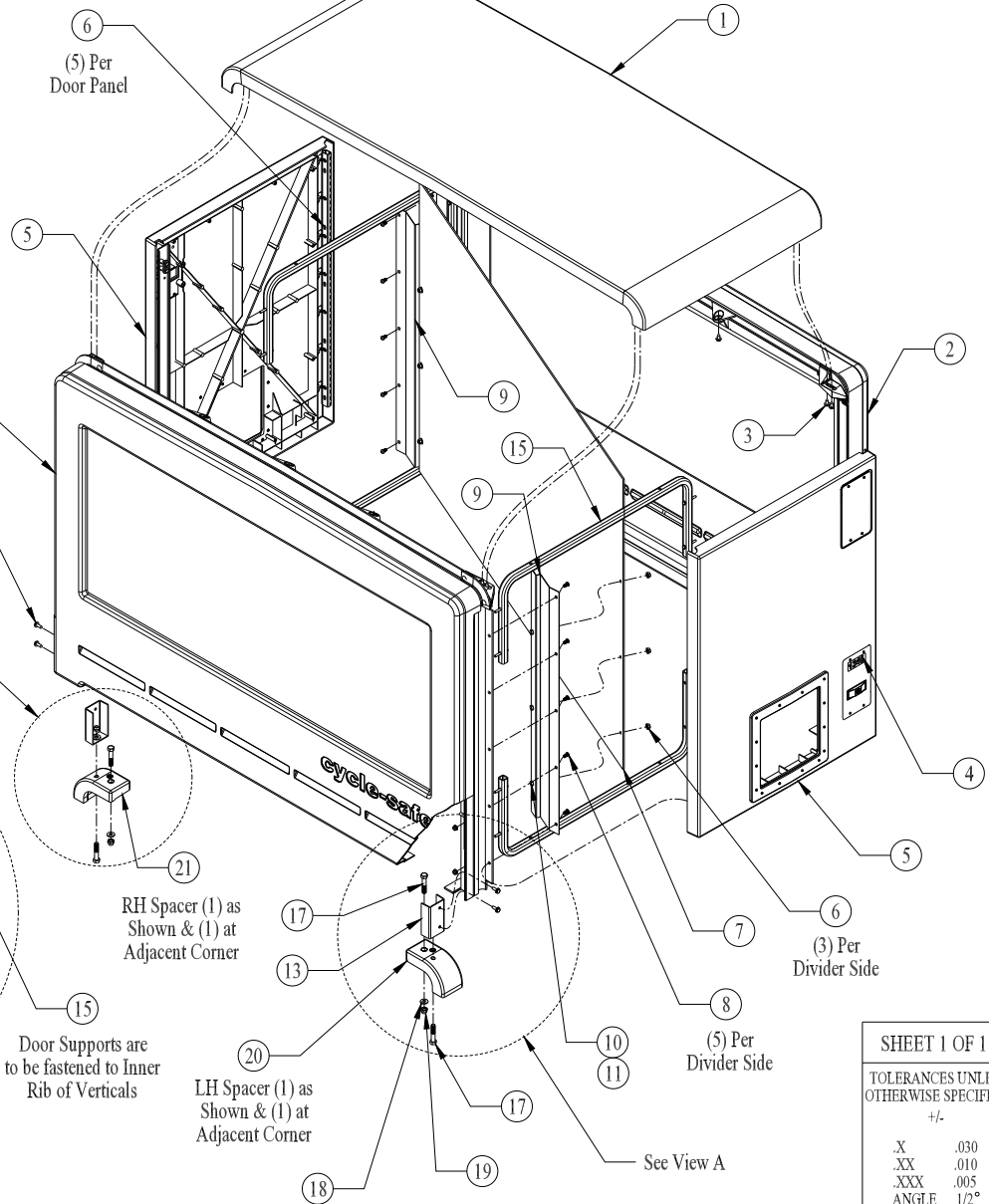
Part #10004



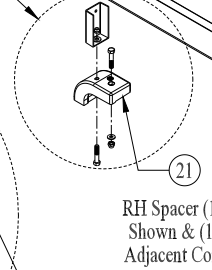
ProPark DT/DV {M04}  
{Upper} Starter Locker {Exp}



View B  
2:1



View A  
1.65:1



RH Spacer (1) as  
Shown & (1) at  
Adjacent Corner

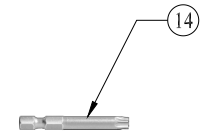
Door Supports are  
to be fastened to Inner  
Rib of Verticals

LH Spacer (1) as  
Shown & (1) at  
Adjacent Corner

ITEM	QTY	DESCRIPTION	PART NO.
1	1	TOP PANEL	10301
2	2	END PANEL (STANDARD)	10960
3	14	5/16"-18NC x 1-1/4" LG. SHMS	10222
4	1	NUMBER PLATE	10703
5	2	DOOR (UPPER) ASSEMBLY (VIEW-THRU)	11722
6	32	5/16"-18NC WHIZ NUT	10304
7	1	DIVIDER PANEL	10101
8	10	5/16"-18NC x 3/4" LG. HHCS	10219
9	2	DIVIDER MOUNTING FLANGE	10207
10	6	5/16" FLAT WASHER	10218
11	6	5/16"-18NC x 1-1/4" LG. HHCS	10214
12	8	1/4"-20NC x 1-1/4" LG. SELF TAPPING SCREW	10217
13	4	LEVELING PLATE	10216
14	1	TORX BIT	10801
15	4	INTERIOR DOOR SUPPORT	10755
16	16	5/16"-18NC x 2" LG. HHCS	11106
17	8	3/8"-16NC x 3" LG. S/S HHCS	11101
18	16	3/8" S/S FLAT WASHER	11102
19	8	3/8"-16NC S/S NYLOCK NUT	11108
20	2	LH SPACER BLOCK	11055
21	2	RH SPACER BLOCK	11056

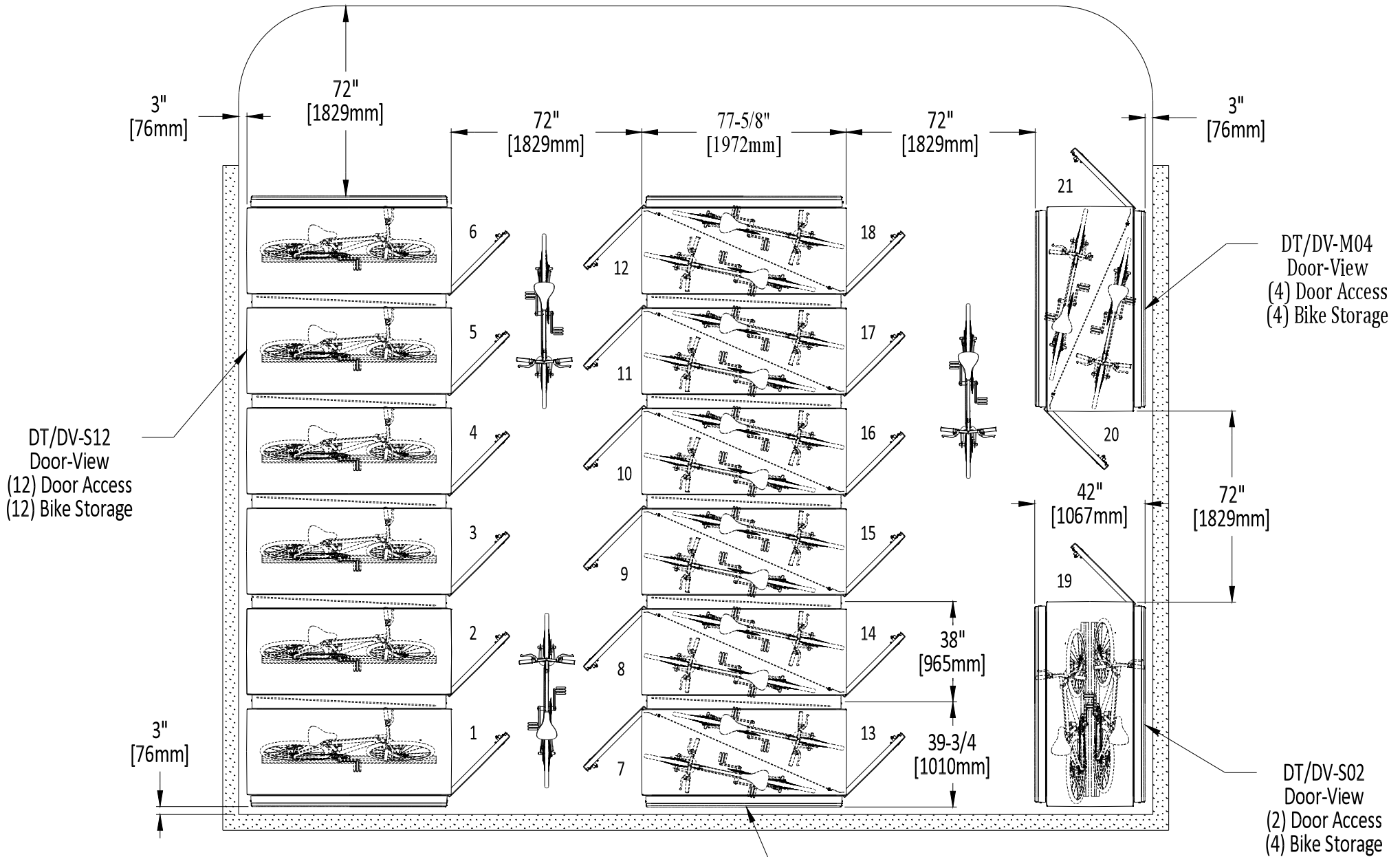
NOTES:

1. ALL MATERIALS MUST BE CLEAN AND FREE OF MILL LUBRICATION
2. ANY BLEMISHES OR RUST WILL NOT BE ALLOWED ON COMPLETED PRODUCTS



SHEET 1 OF 1	A	RELEASE FOR PRODUCTION	04/27/10
	REV	DESCRIPTION	DATE
	TOLERANCES UNLESS OTHERWISE SPECIFIED:		
	+/-		
.X	.030		
.XX	.010		
.XXX	.005		
ANGLE	1/2°		
PROPARK ~ DV {M02} LOCKER {UPPER} TIER			
G.M.		04/27/10	<b>Cycle Safe</b> 947 FOREST HILL AVE GRAND RAPIDS, MI 49546 www.cyclesafe.com
R.E.S.		05/04/10	
APPROVED		DATE	
D	{DV} LOCKER (UPPER) TIER ASSEMBLY	10004	REV A





# CycleSafe {ProPark} Double-Tier Locker Clearance & Capacities



www.cyclesafe.com

# CycleSafe {ProPark} Series Bicycle Locker {Breakdown}

Part #	Model & Access Descriptions	{Examples}
SM-S01	Standard Model + (1) Door = (1-2) Bike Capacity	
SM-M02	Standard Model + (2) Doors = (2) Bike Capacity	
DV-M02	Door-View + (2) Door Access = (2) Bike Capacity	
SV-M04	Side-View + (4) Door Access = (4) Bike Capacity	
VT-M06	View-Thru + (6) Door Access = (6) Bike Capacity	
DT/DV-M24	Double-Tier + (24) Doors = (24) Bikes Capacity	

Model	Name	Description
SM	Standard	No Windows
DV	Door-View	Windows in Doors "Only"
SV	Side-View	Windows in Sides "Only"
VT	View-Thru	Windows in Doors & Sides
DT	Double-Tier	Stacked Lockers & Spacers

**M02 Locker Dims are 50-1/2" OAH x 42" OAW x 77-5/8" OAL**

Part Number	(2) Door Access / Number of Bicycles				Shipping Weight	
	SM	DV	SV	VT	LB	KG
M02	02	02	02	02	450	204
M04	04	04	04	04	760	345
M06	06	06	06	06	1120	508
M08	08	08	08	08	1350	612
M10	10	10	10	10	1740	789
M12	12	12	12	12	1970	894
M14	14	14	14	14	2280	1034
M16	16	16	16	16	2590	1175
M18	18	18	18	18	2900	1315
M20	20	20	20	20	3310	1501
M22	22	22	22	22	3590	1628
M24	24	24	24	24	3870	1755

Part Number	Model	Shipping Weight	
	DT/	LB	KG
M04	04	912	414
M08	08	1544	700
M12	12	2276	1032
M16	16	2748	1246
M20	20	3540	1605
M24	24	4012	1820
M28	28	4644	2106
M32	32	5276	2393
M36	36	5908	2680
M40	40	6740	3057
M44	44	7312	3317
M48	48	7884	3576

Row Length	
IN	CM
43	109
81	206
119	302
157	399
195	495
233	592
271	688
309	785
347	881
385	978
423	1074
461	1171

Part Number	(1) Door Access / Number of Bicycles				Shipping Weight	
	SM	DV	SV	VT	LB	KG
S01	01	01	01	01	393	178
S02	02	02	02	02	646	293
S03	03	03	03	03	949	430
S04	04	04	04	04	1122	509
S05	05	05	05	05	1455	660
S06	06	06	06	06	1628	738
S07	07	07	07	07	1881	853
S08	08	08	08	08	2134	968
S09	09	09	09	09	2387	1083
S10	10	10	10	10	2740	1243
S11	11	11	11	11	2963	1344
S12	12	12	12	12	3186	1445

Part Number	Model	Shipping Weight	
	DT/	LB	KG
S02	02	798	362
S04	04	1316	596
S06	06	1934	877
S08	08	2292	1040
S10	10	2970	1347
S12	12	3328	1510
S14	14	3846	1745
S16	16	4364	1980
S18	18	4882	2214
S20	20	5600	2540
S22	22	6058	2748
S24	24	6516	2956

Row Length	
IN	CM
43	109
81	206
119	302
157	399
195	495
233	592
271	688
309	785
347	881
385	978
423	1074
461	1171